

User's Manual RAIO BI frames Type BI-1 Type BI-2

Before installation, read this documentation carefully.

The purpose of these user instructions with installation instructions is to provide an overview of the aspects important for safe installation and correct application of the RAIO heating system in combination with the built-in frame.

Installation instructions:

Spectra always stipulates as a condition, that RAIO in conjunction with the built-in list should be installed by a licensed or skilled professional technician, knowledgeable about the legislation and requirements for this type of work.

Damages or defects resulting from failure to follow the foregoing advice in this document are never covered by Spectra's manufacturer's warranty, but are the responsibility of the user.

Spectra is never liable for damage the which results from a faulty installation.

For all aspects surrounding the proper positioning or installation of the RAIO heating panel, please refer to the attached RAIO heating panel manual.

These BI moldings are specially designed for incorporating the RAIO heating panel into the ceiling or wall. This will make the front of RAIO flush with the finished surface.

The total built-in depth is 53mm

One can build the heating panel into materials such as drywall, wood finish...etc there are numerous possibilities.

Package contents various BI frames :

BI-1 is for the RAIO1 model - 119,3x59,3cm - 900watt

Four lists should be present in this pack.

Two long aluminum frames and two short aluminum frames.

BI-2 is for the RAIO2 model - 59,3x59,3cm - 450watt

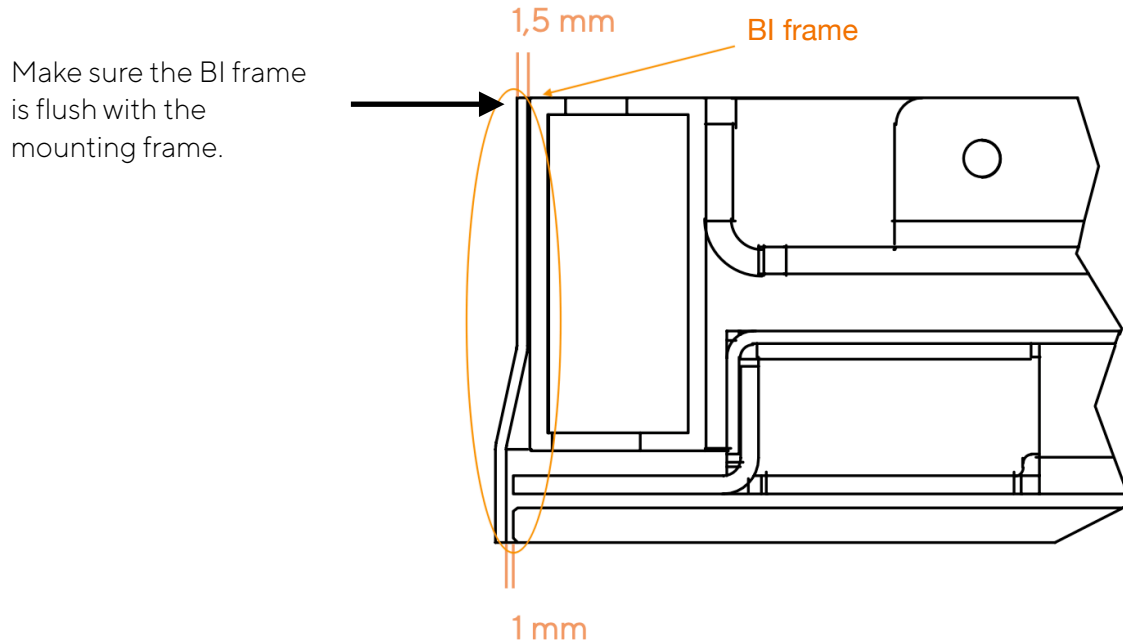
Four frames should be present in this package, with the letters **A** and **B** engraved on the inside sides there should be two frames with the letter **A** and two frames with the letter **B** present.

BI-1 frames

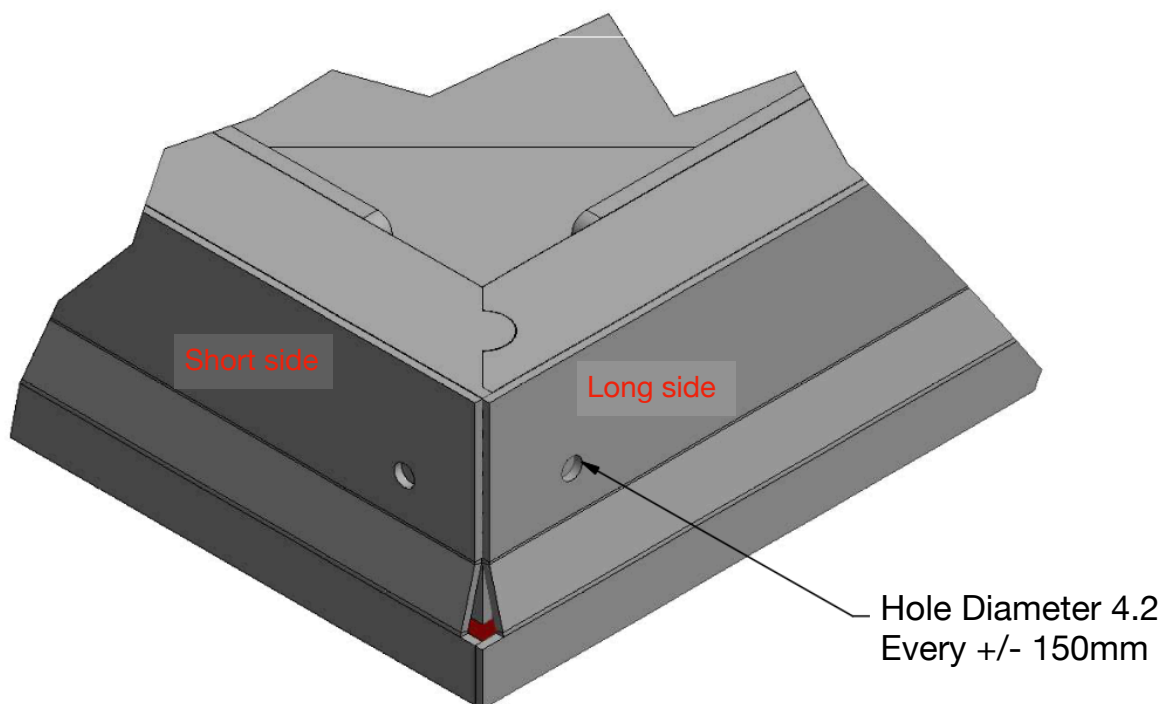
Supplies: 26 metal self tapping screws recommended size 3,5x16mm

Mounting advice:

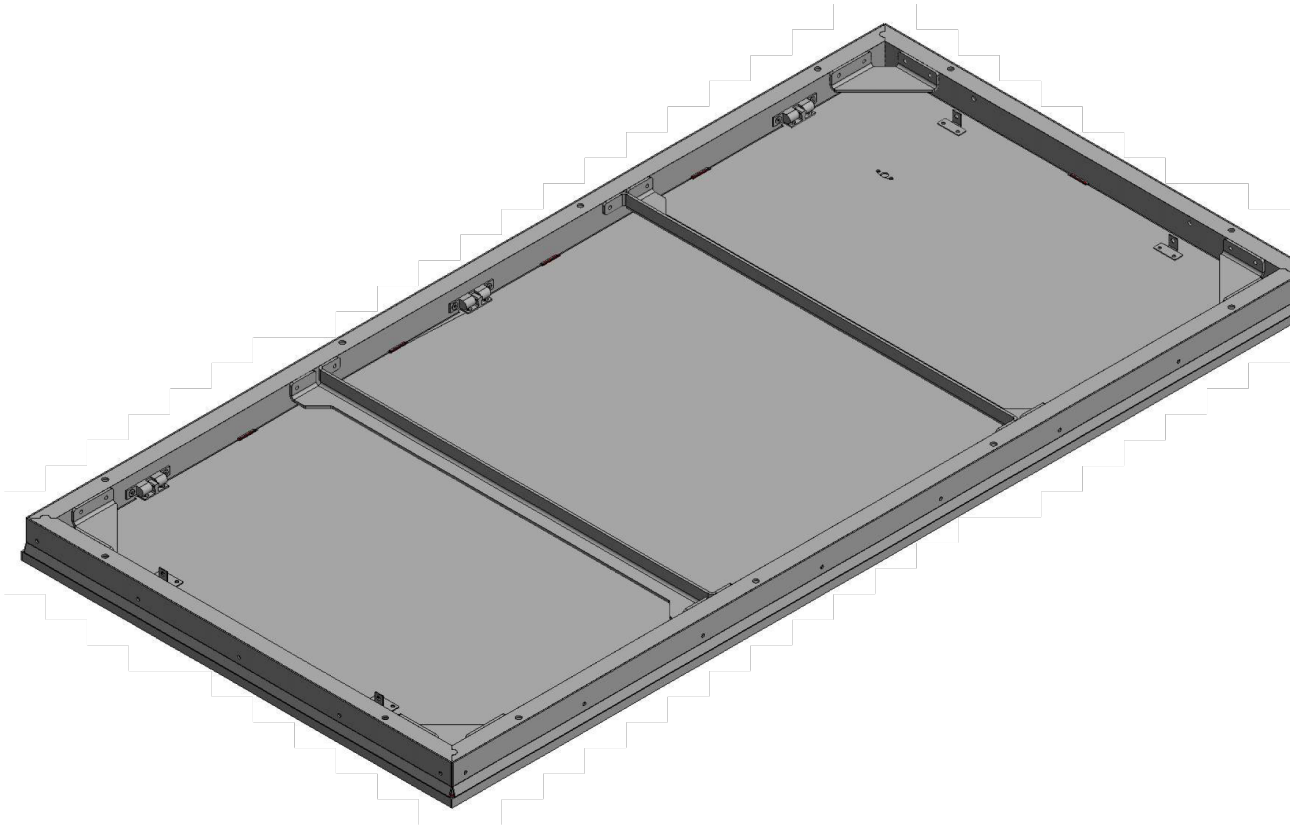
- Position the BI frame (separate mounting attachment) flush with the top of the heater panel mounting frame as shown in the drawing below.



- The white BI frame extends further on one side toward the bottom of the mounting frame. This is where the heating panel will later be clicked in as shown below.
- Always start by placing the longest frames on the longest side, for further details check the drawing below



- When all the frames are mounted on the mounting frame the whole thing will look like the drawing below



Placement recommendation:

If you are going to install the mounting frame in drywall, it is recommended to finish the edges of the drywall with a metal stop profile. Place this on the inside of the recess where RAIO will be placed. This creates two metal objects (BI frame and metal stop profile) which can work separately from each other.

If you are working with other finishing materials, you can use the BI moulding as a stop.

The BI moulding is little affected by heat, so there will be minimal effect on the installed aluminum, but this does not exclude that the materials shrink or expand due to temperature changes..

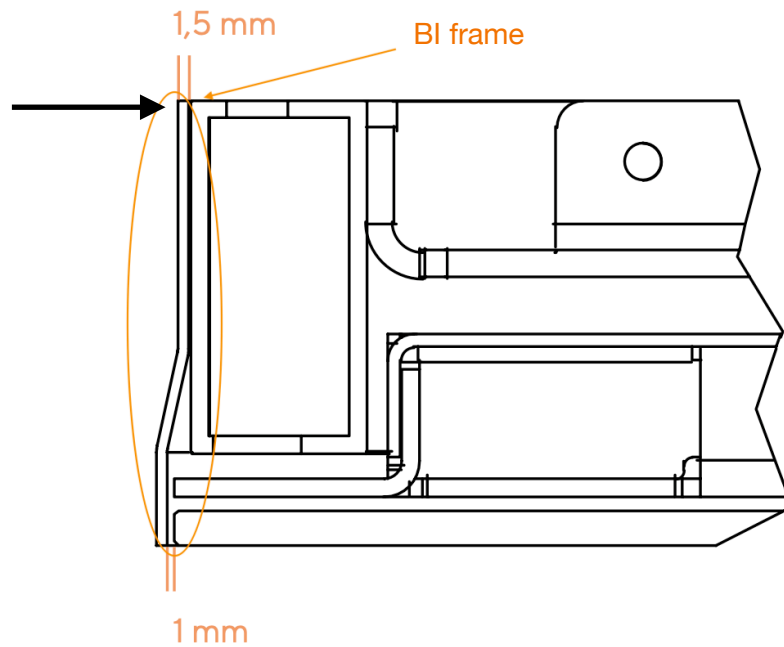
BI-2 frames

Supplies: 20 metal self tapping screws recommended size 3,5x16mm

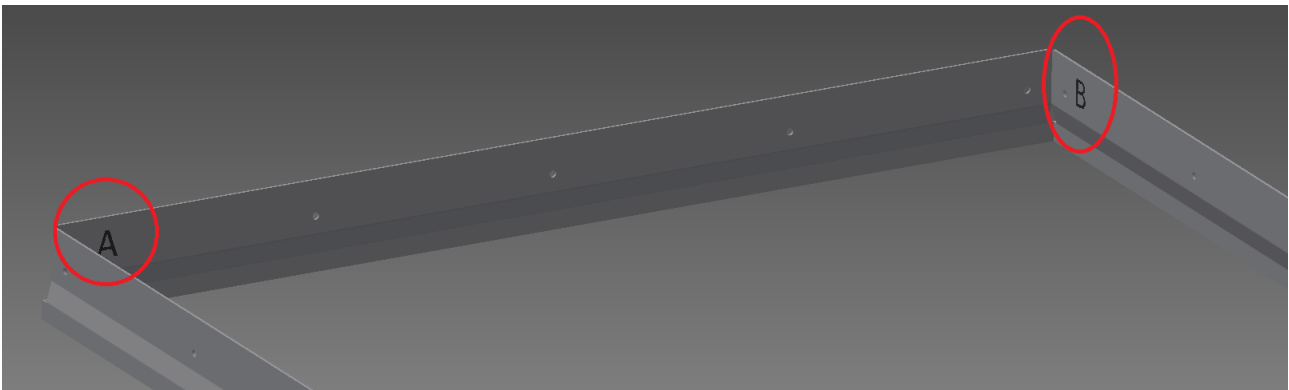
Mounting advice:

- Position the BI frame (separate mounting attachment) flush with the top of the heater panel mounting frame as shown in the drawing below.

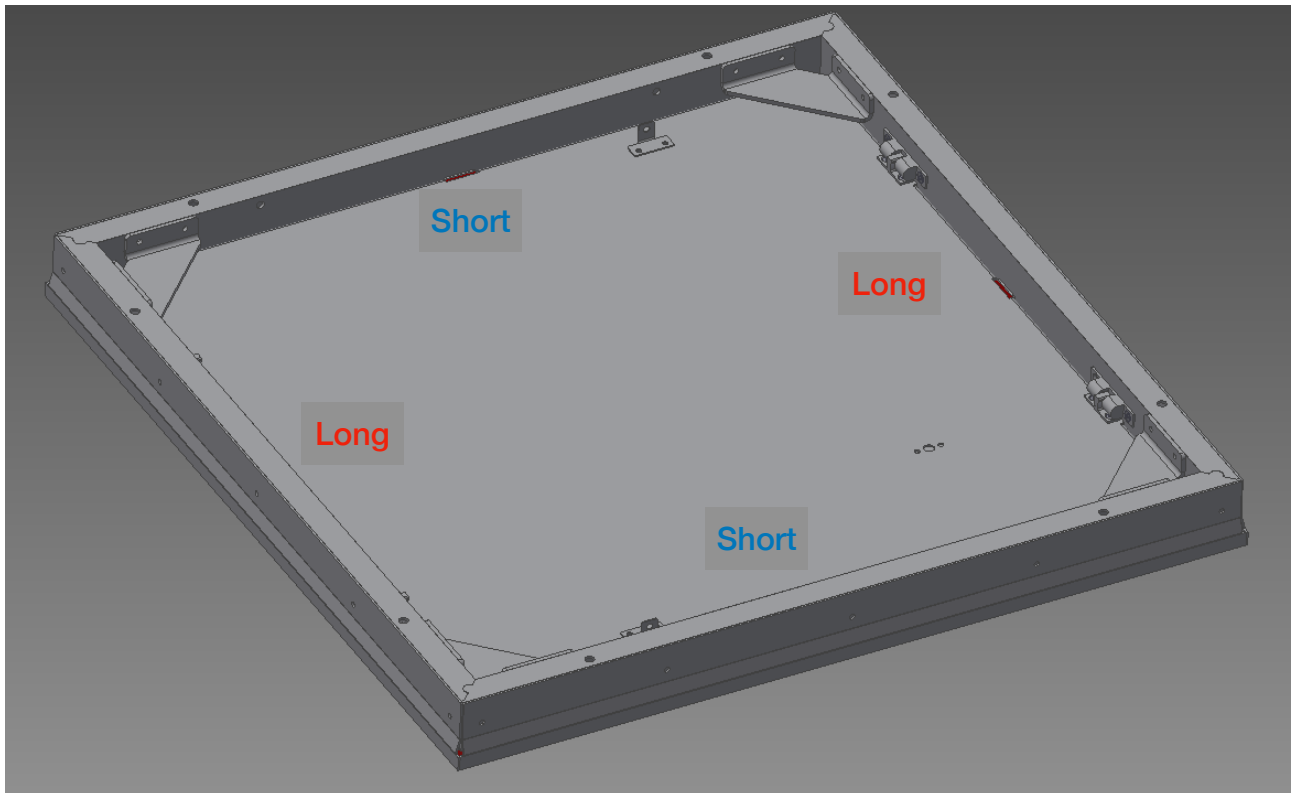
Make sure the BI frame is flush with the mounting frame.



- CAUTION The frames are labeled with the letters A and B, the same letters should face each other as shown below



- In this way you can easily start attaching the moldings against the mounting frame, the white side of the moldings extend on one side towards the bottom of the mounting frame where later the heating panel will be clicked in as shown below.



- The white BI frame extends further on one side toward the bottom of the mounting frame. This is where the heating panel will later be clicked in as shown below.
- Always start by placing the longest frames on the longest side, for further details check the drawing below

Placement recommendation:

If you are going to install the mounting frame in drywall, it is recommended to finish the edges of the drywall with a metal stop profile. Place this on the inside of the recess where RAIO will be placed. This creates two metal objects (BI frame and metal stop profile) which can work separately from each other.

If you are working with other finishing materials, you can use the BI moulding as a stop.

The BI moulding is little affected by heat so there will be minimal effect on the installed aluminum, but this does not exclude that the materials shrink or expand due to temperature changes.